

# Compact actuators



**Innovative solutions in  
valve automation  
systems**

**SITE**



## SITE COMPACT ACTUATORS

The new, innovative, non-conventional product line **SITE Compact Actuators** from Doedijns Pneumatics saves space up to **70%** compared to standard Scotch yoke actuators. Combined with maximum safety, **SITE Compact Actuators** are ideal for applications where limited space is available: **F(P)SO, oil or gas platforms.**

### Minimum space with maximum safety

In oil & gas, (petro) chemical and shipbuilding industries cubic metres are often scarce. Nevertheless, safety for both environment and employees on a platform or a ship is of the utmost importance. Generally, saving space on equipment with the assurance of maximum safety are two contradictive goals. **SITE Compact Actuators** (double acting or spring return) combine both:

- The amount of space required to execute the valve's stroke is decreased to the absolute minimum
- The same or even more torque output and reliability is realised compared with a traditional Scotch yoke actuator

### Standard and custom made

The basic design of the **SITE Compact Actuators** has proved to be highly successful. A complete range is now exclusively produced by Doedijns Pneumatics. Besides the standard range **SITE Compact Actuators** we also develop and produce Compact Actuators to our customer's specifications & requirements complete with **SITE** control systems.





## STANDARD RANGE COMPACT ACTUATORS

The standard range SITE Compact Actuators consists of pneumatic or hydraulic, spring return or double acting actuators. Compact Actuators are your solution in all applications where limited space for pipeline equipment shall be allocated without undermining safety matters.

### Standard Specifications

- Rotation angle 90°
- Travel adjustment: +/-3°
- Ambient temperature -30 °C up to 90 °C
- ISO 5211 valve interface
- Namur accessory interface
- Range of torques:
  - 250 Nm
  - 500 Nm
  - 1,000 Nm
  - 2,000 Nm
  - 4,000 Nm
  - 8,000 Nm
  - 16,000 Nm
  - 32,000 Nm
- Maintenance free
- Internal tie bars
- Accessories:
  - position indicators
  - mounting kits
  - control systems

### Standards & Certifications

- All SITE products are constructed to meet demanding standards in the oil & gas and (petro)chemical industry
- SITE Compact Actuators carry CE, ATEX and PED certifications
- Other certifications upon request





### OPTIONAL AVAILABLE: CUSTOM MADE DESIGN

Years of experience in serving the oil & gas industry, close partnerships with both clients and suppliers, in-house customer specific engineering and innovative strength form the foundation for the custom made design of the SITE Compact Actuators. A design that meets market insights and customer's demands.

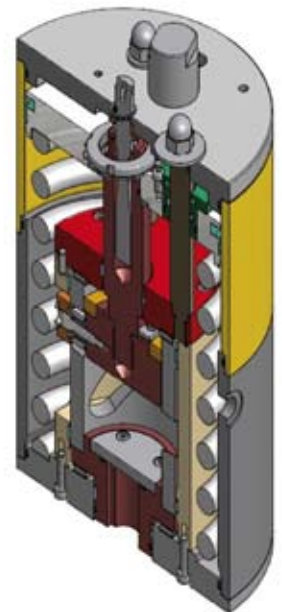
#### Variable specifications

- Rotation angles up to 180°
- Customer specific travel adjustment range
- Output torques up to 64,000 Nm
- Exotic materials
- High/low ambient temperatures
- Custom valve interface
- Extra high opening or closing torque
- Design fully adjusted according to your special valve characteristics

#### Multi-purpose

Custom made design for:

- Every type of platform, vessel, or plant
- Every customer's specification
- All applications where valve systems withstand severe circumstances
- All applications where reliability is of the utmost importance





## ADVANTAGES COMPARED TO STANDARD

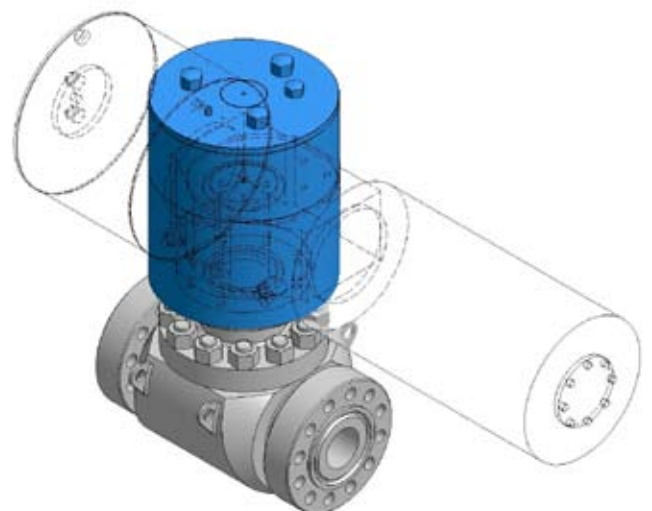
Sometimes standard solutions simply do not fit. The SITE Compact Actuator is your solution! Valuable space will be saved compared with a standard solution.

### Advantages

- Save space up to 70% compared to Scotch yoke
- Hydraulic or pneumatic
- Mechanical spring return or double acting
- Upgrade your system with a more compact design
- Upgrade your system with more torque
- Smooth exterior design ensures long lasting coating systems
- Choose from our standard range Compact Actuators or have it completely customised

### Industries

- On- & Offshore: upstream oil & gas
- (Petro-)chemical
- Maritime - F(P)SO





**Doedijns Pneumatics B.V.**  
Member of Doedijns International

| Van Galenweg 23 | 5431 LG Cuijk | The Netherlands  
| P.O. Box 280 | 5430 AG Cuijk | The Netherlands  
| t. +31 [0] 485 31 51 00 | f. +31 [0] 485 31 41 09  
| info@doedijns.com | www.doedijns.com



**Doedijns International B.V.**

| Coenecoop 103 - 105 | 2741 PH Waddinxveen | The Netherlands  
| P.O. Box 179 | 2740 AD Waddinxveen | The Netherlands  
| t. +31 [0] 182 30 28 88 | f. +31 [0] 182 30 27 77  
| info@doedijns.com | www.doedijns.com



**Doedijns Pneumatics B.V.**  
Sales office France

| 8, Rue de Cramolet | 76930 Octeville/mer | France  
| t. +33 [0]2 35 21 43 05 | f. +33 [0]2 35 21 43 05  
| info@doedijns.com | www.doedijns.com



**Doedijns Asia Sdn. Bhd. (701989-P)**  
Member of Doedijns International

| 11A Jalan PJS 7/19 | Taman Bandar Sunway  
| 46150 Petaling Jaya | Selangor D E | Malaysia  
| t. +60 [0]3 5631 6733 | f. +60 [0]3 5632 6733  
| info@doedijns.com.my | www.doedijns.com

