

Innovative solutions in valve automation systems



**DOEDIJNS
PNEUMATICS**



SITE / DOEDIJNS PNEUMATICS

Doedijns Pneumatics B.V., recognized as one of the pioneers in pneumatic engineering in The Netherlands, has developed in the last decades to a globally active, independent and innovative specialist in pneumatic systems and related products. Doedijns Pneumatics offers numerous industries (e.g. oil & gas, construction, factory automation, packaging and food) a wide range of services: from in-house engineering, manufacturing, assembling & testing up to installation, maintenance and worldwide service.

Doedijns International

Doedijns Pneumatics is a member of Doedijns International B.V., a group of companies specialised in the field of hydraulics, pneumatics and instrumentation with subsidiaries in Europe and Asia. A professional team of more than 275 employees – driven by dedication and commitment – has enabled the company to gain pole position in the market. Doedijns is specialised in providing total innovative solutions geared to clients' individual applications and specifications combined with high-tech engineering.

SITE valve automation systems

In 2010, the activities of the specialists of valve automation systems, SITE Valve Automation Centre and Site-Tork, were acquired by Doedijns International.

The high quality SITE product lines (e.g. Compact and Lift & Turn Actuators) are since many years a worldwide and strong brand name in the oil & gas market. Therefore, they are a powerful addition to Doedijns Pneumatics.

The complete range of innovative SITE actuators bridges the gap between the present actuator's possibilities and industries' demands. High quality products and a large stock combined with experience, know-how, and a compact & flat organisation enable us to respond quickly and accurately to all developments in the market and solve our customers' problems with practical solutions.





INNOVATIVE SOLUTIONS

SITE valve automation systems are developed by our creative innovators: highly qualified engineers who always look for new ways to combine maximum results with minimum means. They continuously work on systems that meet the needs of our customers within their budgetary limits.

Custom made

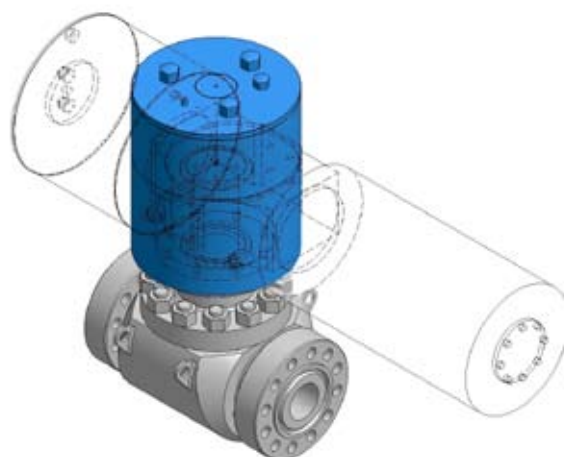
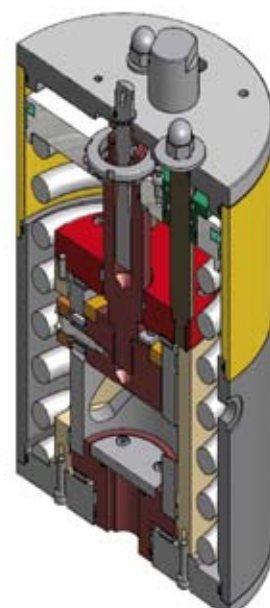
Although standard solutions for valve automation do occur, Doedijns is specialised in delivering special and practical solutions conform customers' needs. Solutions that:

- Include more than just products and technology
- Combine advice, in-house customer specific engineering from 'A to Z', manufacturing, quality control with experience, knowledge and, if necessary, installing, maintenance and service on-site
- Are carried out following strictest ISO procedures, from the creative stage through final assembly down to the user instructions

Safety first

Properly functioning valves - such as Emergency Shutdown Valves (ESDV) and Blow Down Valves (BDV) - can literally save lives.

- Doedijns earned a solid reputation after decades of experience
- Doedijns visualises reputation by various certificates:
 - safety certificate that belongs to every SITE valve automation system
 - ISO 9001:2008 certificate
 - Dutch norm in industrial safety, VCA**, for work on-site
 - other certificates upon request





ACTUATORS AND CONTROL SYSTEMS

Doedijns Pneumatics designs, manufactures and supplies various actuators and actuator control systems, often custom-made as a result of years of experience in valve automation systems.

Actuators

Pneumatic, hydraulic and electric. Designed on request: fail-safe, spring return and double acting.

Doedijns Pneumatics supplies the following dedicated actuators:

- Subsea actuators
- Scotch yoke actuators
- Gas over oil actuators
- Direct gas actuators
- (Submersible) actuators

Actuator control systems

Custom made SITE actuator control systems (engineering as well as production) to customer requirements for a large part of the oil & gas market:

- Pneumatic and hydraulic actuator control systems
- Panels or cabinets
- Mounted directly to the actuator or supplied as loose items
- Design in 3D before actual production & assembly
- Materials from GRP to stainless steel 316, including exotic materials





VALVE AUTOMATION

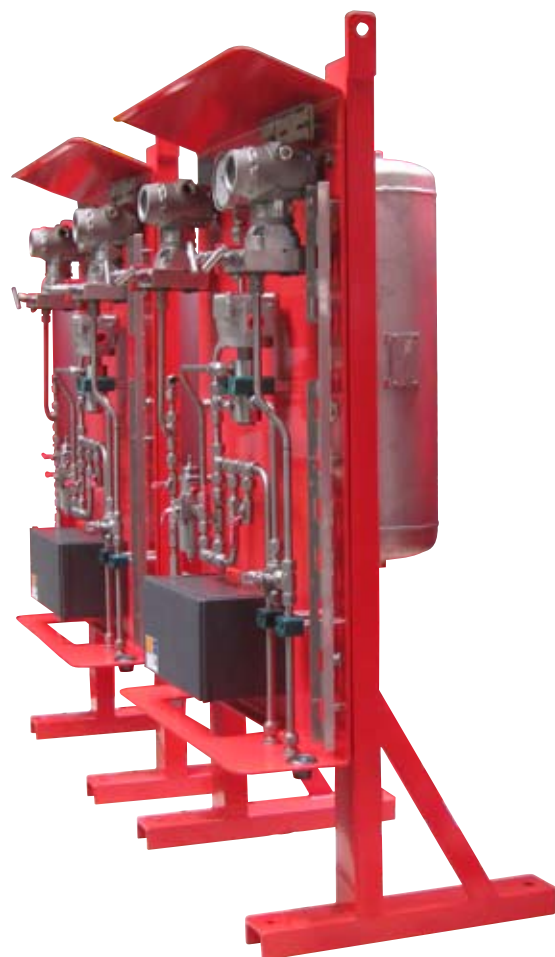
Doedijns Pneumatics, specialised in actuators and control systems, has experience with all kinds of valves and is always open to find solutions for the automation of your specific valve and application.

Valve actuation

Doedijns supplies actuators for any type of valve (new or existing) and any size, from small to very large. We take care of the complete process from the design stage up to the final witness test, if applicable.

Valves we supply actuators for:

- Ball valves
- Butterfly valves
- Gate valves
- Globe valves
- Plug valves
- Lift Plug valves
- Other (customised) valves





COMPACT ACTUATORS

The new innovative, non-conventional product line **SITE Compact Actuators** exclusively produced by Doedijns Pneumatics saves space up to **70%** compared to standard Scotch yoke actuators. Combined with maximum safety, **SITE Compact Actuators** are ideal for applications where limited space is available: **F(P)SO, oil/gas platforms.**

- In the oil & gas, (petro-) chemical and shipbuilding industries cubic metres are often scarce
- Safety for both environment and employees on a platform or vessel is of the utmost importance
- Upgrade your valves with the latest technologies and more torque in double acting or spring return

LIFT & TURN ACTUATORS

One linear movement – resulting in lifting, turning and reseating – makes the SITE Lift & Turn actuator the first spring return actuator for lift plug valves. This unique and patented fail-safe actuator is a real engineering challenge.

- The development of the Lift & Turn actuator is an excellent example of our customer oriented approach
- One linear motion from the power module (hydraulics or pneumatics) is converted into a three dimensional movement: Lift – Turn – Reseat
- The result is a unique solution: upgrading the overall capabilities of the lift plug valve, making it the best possible fail-safe solution for abrasive media (e.g. oil/tar sands, mining, fertilizer, refineries, petrochemical, etc.)





BALLAST SYSTEMS

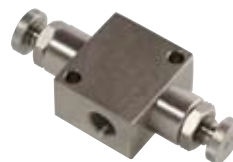
Submersible SITE pneumatic and hydraulic ballast systems for application in a maritime environment where stability is of great importance, e.g. on ships or semi-submersible drilling rigs.

- Specially designed in-house for modern ships: operated by small crews with a short stay on board: easy to be controlled and fail-safe
- Custom built and supported by various classification standards

FLOW CONTROL COMPONENTS

A selection of high quality pneumatic instrumentation components that are not commonly found elsewhere.

- Quick exhaust valves up to 2,5" (larger upon request)
- High flow: dual flow control valves and port flow regulators
- Quick exhaust valves for modulating services
- Standard material SS316; exotic materials upon request



MOUNTING KITS

To be able to provide a full valve actuation service, Doedijns Pneumatics has set up a dedicated production line for actuator-to-valve interfaces.

- Various types: from open box type (brackets) up to fully enclosed (spool pieces)
- Custom made drive pinions connecting the actuator to the valve stem, to suit specific valves





Doedijns Pneumatics B.V.
Member of Doedijns International

| Van Galenweg 23 | 5431 LG Cuijk | The Netherlands
| P.O. Box 280 | 5430 AG Cuijk | The Netherlands
| t. +31 [0] 485 31 51 00 | f. +31 [0] 485 31 41 09
| info@doedijns.com | www.doedijns.com



Doedijns International B.V.

| Coenecoop 103 - 105 | 2741 PH Waddinxveen | The Netherlands
| P.O. Box 179 | 2740 AD Waddinxveen | The Netherlands
| t. +31 [0] 182 30 28 88 | f. +31 [0] 182 30 27 77
| info@doedijns.com | www.doedijns.com



Doedijns Pneumatics B.V.
Sales office France

| 8, Rue de Cramolet | 76930 Octeville/mer | France
| t. +33 [0]2 35 21 43 05 | f. +33 [0]2 35 21 43 05
| info@doedijns.com | www.doedijns.com



Doedijns Asia Sdn. Bhd. (701989-P)
Member of Doedijns International

| 11A Jalan PJS 7/19 | Taman Bandar Sunway
| 46150 Petaling Jaya | Selangor D E | Malaysia
| t. +60 [0]3 5631 6733 | f. +60 [0]3 5632 6733
| info@doedijns.com.my | www.doedijns.com

